

Field File No. 89-43-11574

OO and File No. \_\_\_\_\_

Date Received 9/30/80

From \_\_\_\_\_

(NAME OF CONTRIBUTOR)

(ADDRESS OF CONTRIBUTOR)

(CITY AND STATE)

By SA [REDACTED]

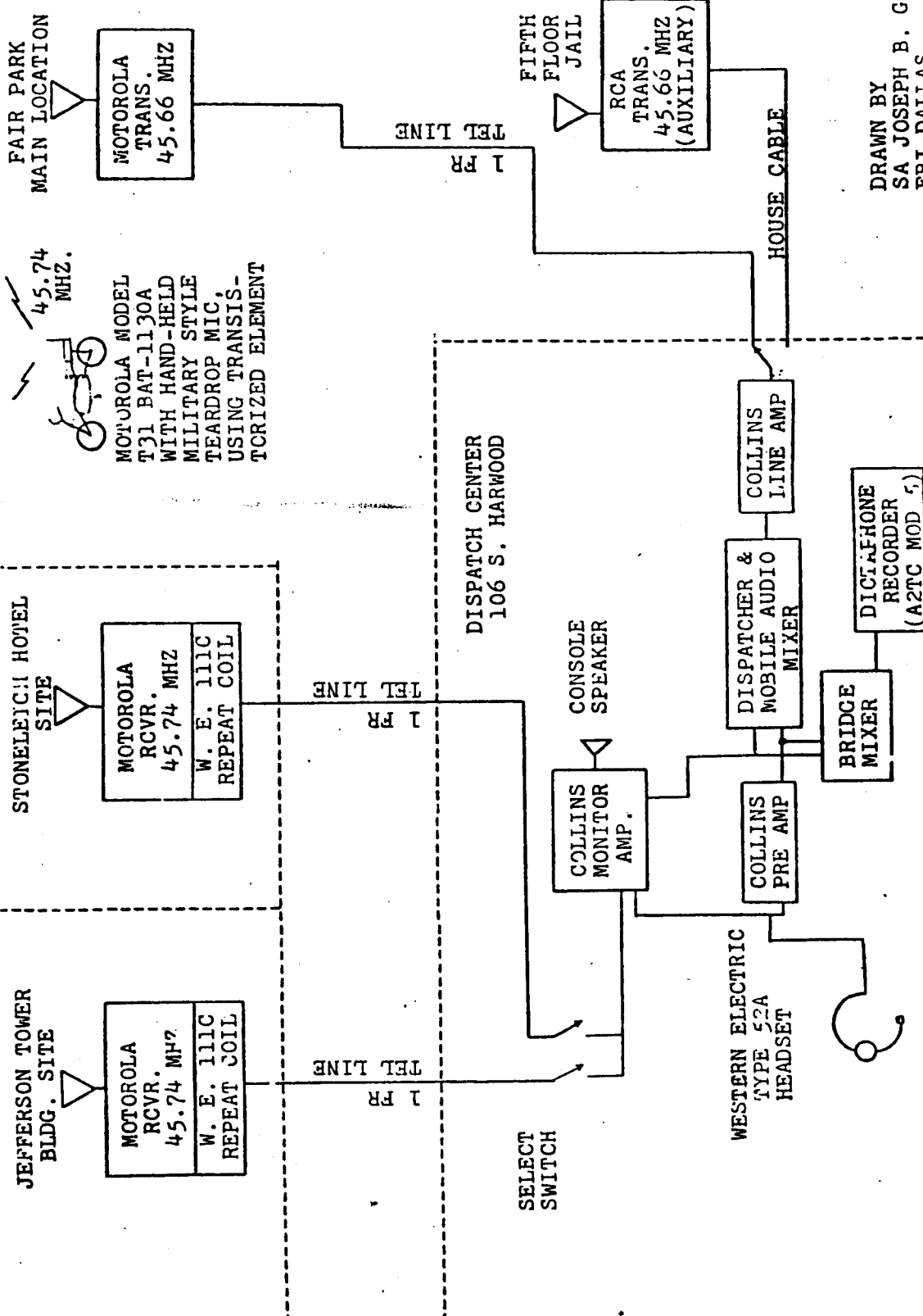
(NAME OF SPECIAL AGENT)

To Be Returned  Yes  
 No

Receipt Given  Yes  
 No

Description:

Copy of two charts prepared by SA [REDACTED] re Channel one and Channel two, Dallas PD, November 22, 1963.



45.74 MHZ.

MOTOROLA MODEL T31 BAT-1130A WITH HAND-HELD MILITARY STYLE TEARDROP MIC, USING TRANSISTORIZED ELEMENT

DRAWN BY SA JOSEPH B. GRAY  
FBI DALLAS  
9/30/80

DALLAS, TEXAS, POLICE RADIO SYSTEM  
AS OF NOVEMBER 1963 -- CHANNEL ONE

JEFFERSON TOWER  
BLDG. SITE

MOTOROLA  
RCVR.  
45.78 MHZ  
W.E. 111C  
REPEAT COIL

SOUTHLAND CENTER  
SITE

MOTOROLA  
RCVR.  
45.78 MHZ  
W.E. 111C  
REPEAT COIL

45.78  
MHZ.



MOTOROLA MODEL  
T31 BAP-1130A  
WITH HAND-HELD  
MILITARY STYLE  
TEARDROP MIC,  
USING TRANSIS-  
TORIZED ELEMENT

TEL LINE

TEL LINE

TEL LINE

TEL LINE

SELECT  
SWITCH

COLLINS  
MONITOR  
AMP.

CONSOLE  
SPEAKER

WESTERN ELECTRIC  
TYPE 52A  
HEADSET

COLLINS  
PRE AMP

COLLINS  
LINE AMP

BRIDGE  
MIXER

GRAY AUDIOGRAPH  
DISK RECORDER

HOUSE CABLE

FIFTH  
FLOOR  
JAIL

RCA  
TRANS.  
45.78 MHZ  
(AUXILIARY)

DRAWN BY  
SA JOSEPH B. GRAY  
FBI DALLAS  
9/30/80

DISPATCH CENTER  
106 S. HARWOOD

DALLAS, TEXAS, POLICE RADIO SYSTEM  
AS OF NOVEMBER 1963 -- CHANNEL TWO

FD-340 REV. (6-14-77)


Field File No. 89-43-11375

OO and File No. \_\_\_\_\_

Date Received 8/27/80 + 9/15/80

From \_\_\_\_\_  
(NAME OF CONTRIBUTOR)

\_\_\_\_\_  
(ADDRESS OF CONTRIBUTOR)

By SA  SPECIAL AGENT

To Be Returned  Yes  No      Receipt Given  Yes  No

Description:

Notes re interview with  
Capt. James C. Bowler,  
Dallas PD.

Dictaphone

A 2TC Mod 5

30 min belt -

± 15 db 300/2500 hertz

Gray Audiograph



Phone line capability

200/2800 hertz ± 10%  
due to line peculiarity

"Voice grade" consider

Min. frequency for - (400-450)  
less or low (300/3000)

No + directional in '63

voice canceling (not fully done)

We used carbon mikes like phone  
& dynamic mikes. They are

close speaking mikes so they  
would give best reception to

mic modulation width - 1-2"  
mike. → Res + No. 6

freq response  
200/3000 Paoli Th, 1 new

8/27/81  
8:30-  
1:00

Jim -  
J.C. -

July 1956  
Supervisor  
1956-1966

Make a model spec are not  
available in 20 per cent

a particular model

Sold in the common market (on bid basis) but some  
90% probability it was a Motorola - G.E. poss & P.A.  
certain spec had to be met

voice cancelling -

number of

miles

1-2 inches <sup>away</sup> from the unit

Dictaphone A LTC Model  
Ch. 1. Belt

Jan 2 Disc.

Chom 1 -

voice quality only - no fidelity requirements

when received at mike  
main transmitter antenna - Fair Park  
most sound activated relay  
remote repeaters - Jefferson Tower  
office Bldg. #200 block of  
Jefferson  
Stoneleigh Hotel  
Southland Center - 2

(receiver) Telephone Co. land line from  
emitter transmitter to main transmitter

dispatcher

transmitter - probably Motorola

transmission for the system  
have gone to main repeater by  
landline -

console - to transmitter unit at  
(computer) and number of repeaters  
subcomponents based on

0

100-150

30-35

telephone line - split when  
it came to <sup>HQ</sup> Telephone wire  
one to the recorders + one  
to dispatch (speakers)

motorcycle going 4-5 mi per hr. -

Doppler effect

McClain -

Dictabelt -

Ch. 1 - 12:00 P - 1:33 P

Ch. 2 - Gray - 17:37 - 1:33 P

should take both together

27-30 mi per hour

3 wheel officer - Ch. 1 only had -

Trad. Mast - borrowed motorcycle -

retired - embarrassed about it -



1<sup>st</sup> exposure - 11/22/63 -  
March of 1964 FBI tried to  
transcribe -

trans made tapes for the  
FBI

he has made the transcripts

FBI played with the belts trying  
to transcribe them

bracketed the period as being  
blank -

first copy would have been  
real to reel

used them for many hours  
played them on dictaphone machine

made transcript from belt

made no effort to write down  
the number of the belt

expertise deals w/ strictly w/  
communications -

wanted to help anyway he could  
knows what he is telling is the truth

~~metro~~ Heterodyne - two transmissions  
collide & makes an sound

thinks they are dimples on the belt  
that caused the peaks

as close as anyone to the ~~commission~~  
procedures ~~that~~ he is the best evidence

they found impulse patterns

his research started sometime in <sup>spring</sup> 1978

commission ~~determination~~ ~~be~~  
factually disproved.

back Sep. 8 -

J.C. Boulder W 01/20/1115  
Gray

Hofstadter - in Miss.  
HQ - Beloxi  
used to be a radio  
technician w/ DL PD

records not kept on  
to the exchange of  
certain equipment  
at a certain time  
almost all of the  
motorcycle equipment  
was Hofstadter  
there was dealer motorcycles  
under the same type  
of equipment as the  
automobiles - individual  
write like a test-  
dealer  
Frequency - 45, with  
cycles

②

repeater - signal  
went to one of  
repeater - then from  
a lowline transmitter  
to main tower  
we built car to  
car capability  
had a test frequency  
system - one to  
transmit and one  
to receive.

Capt. thinks the  
1st specification had to  
be done - used to  
be done in 2nd spec.  
of the test to read out  
line.  
index of liberty  
specific - particular approach  
the test - interesting  
this system but the add

3  
Sound - activated  
Ch. 1 - Belt  
Ch. 2 - Disc.

Gray was worn  
pretty well - the worn  
gear was pretty worn  
worn.

4 record delay for  
the last transmitter  
that activated the  
equipment  
integrated into  
piece of equipment  
the sound - was can

this was on Ch. 1 -  
the primary channel  
for 90 operations  
Ch. 2 - was this  
assigned to a  
for the main

was in  
[redacted] [redacted]

[redacted] - 7c  
[redacted] - Disposition  
[redacted]

Continually continues -

12:30:55 Approx  
time of this [redacted] about  
[redacted] [redacted]

the on - off  
(British - some  
wired hot - some  
not - radio on  
three wheels probably  
was not hot wired -  
was exp. condition  
what the motor cycle  
was running?

had no stands - by  
transmit signal

Feels that the equipment  
was heavily camouflaged

Spec level was the  
same over a period  
of time.

2001 3000  
VTC quality

Q.2 - was probably  
a one frequency  
channel - stand-by  
channel

[redacted]  
WRE transmitter  
communications  
670-8747

[redacted] 7c

[redacted] 7c p

Field File No. 89-43 11396

OU and File No. \_\_\_\_\_

Date Received 9/19/80

From \_\_\_\_\_  
(NAME OF CONTRIBUTOR)

\_\_\_\_\_  
(ADDRESS OF CONTRIBUTOR)

*XC* By SA [REDACTED]  
(NAME)

To Be Returned  Yes  
 No

Receipt Given  Yes  
 No

Description:

*C* Notes re interview  
*C* with [REDACTED]  
and [REDACTED]  
as well as copy of  
charts made available  
*C* by [REDACTED]